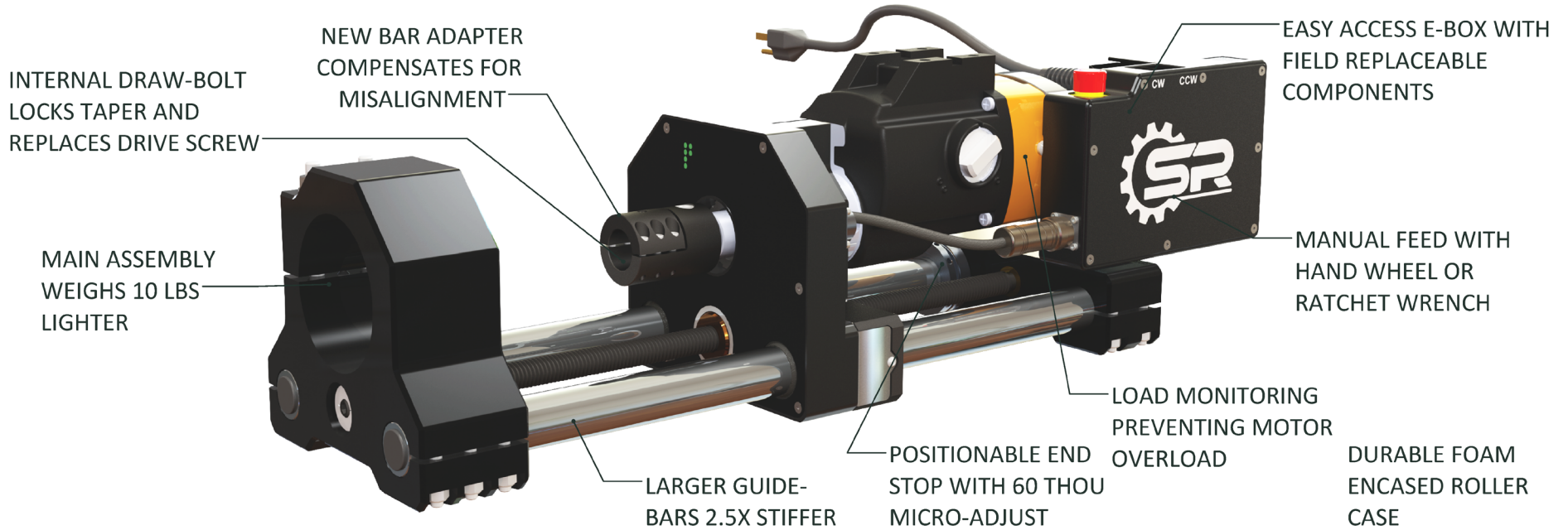
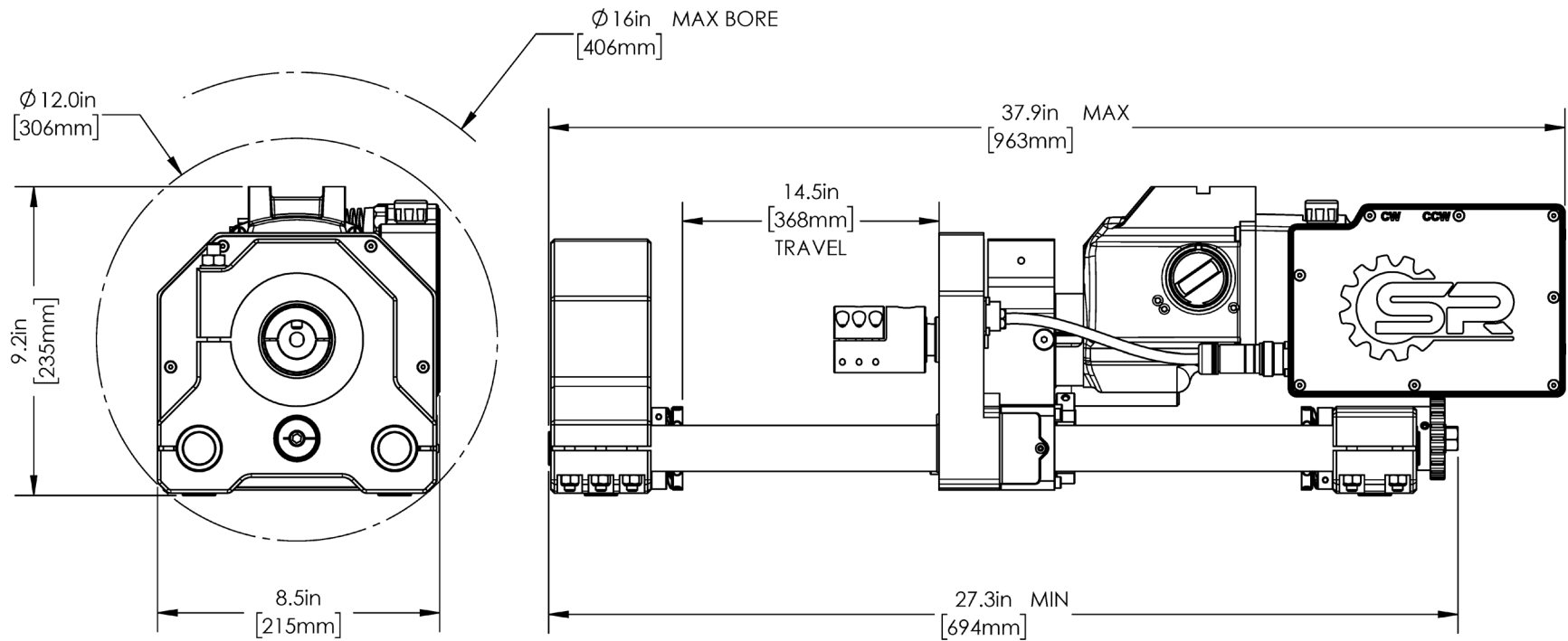




4-14 S2 Line Boring Machine





4-14 S2 Electric Feed Carriage

Cutting Tool Travel	14.5 in (368 mm)
Feed Per Minute	0 – 6.5 in per minute (165 mm per minute)
Feed Per Rev	.1 - 20.5 thou per rev (.0025 - .521 mm per rev)
Rapid Traverse	8.3 in per minute (211 mm per minute)
Weight	Machine - 51 lbs (23.1 kg); Pendant - 3 lbs (1.36 kg)

Electric Bar Drive - Eibenstock 4 Variable-Speed

Bore Diameters	1.5 to 16 in (38.1 to 406.4 mm)
Power Options	110 V, 20 amps, 3 HP (2200 W)
Bar Drive Torque	114 ft-lbs torque (154.56 Nm)
4 Variable-Speed Reversible Bar Drive Motor Weight	26.5 lbs (12.02 kg)



833.447.3777



info@sprtool.com



sprtool.com

Follow us on social media: [in](#) [f](#) [t](#) [i](#) [y](#)