



## Linear Mills

### ADVANTAGES

- Dis-engageable drive wheel (X-axis) allows the user to smoothly move the spindle/saddle assembly across the bed for quick leveling and alignment
- Pneumatic or hydraulic variable feed allows up to 9" of travel per minute
- Multi-position spindle option
- Y-axis is interchangeable with large bridge or angle bracket
- Strategically placed jack bolts placed across the base for micro adjustments
- Magnetic leveling shelf for quick read on cutter/spindle assembly
- Various size cutting heads (6", 8", 10" and 12")
- Capable of milling on either side of bed (180° rotation)



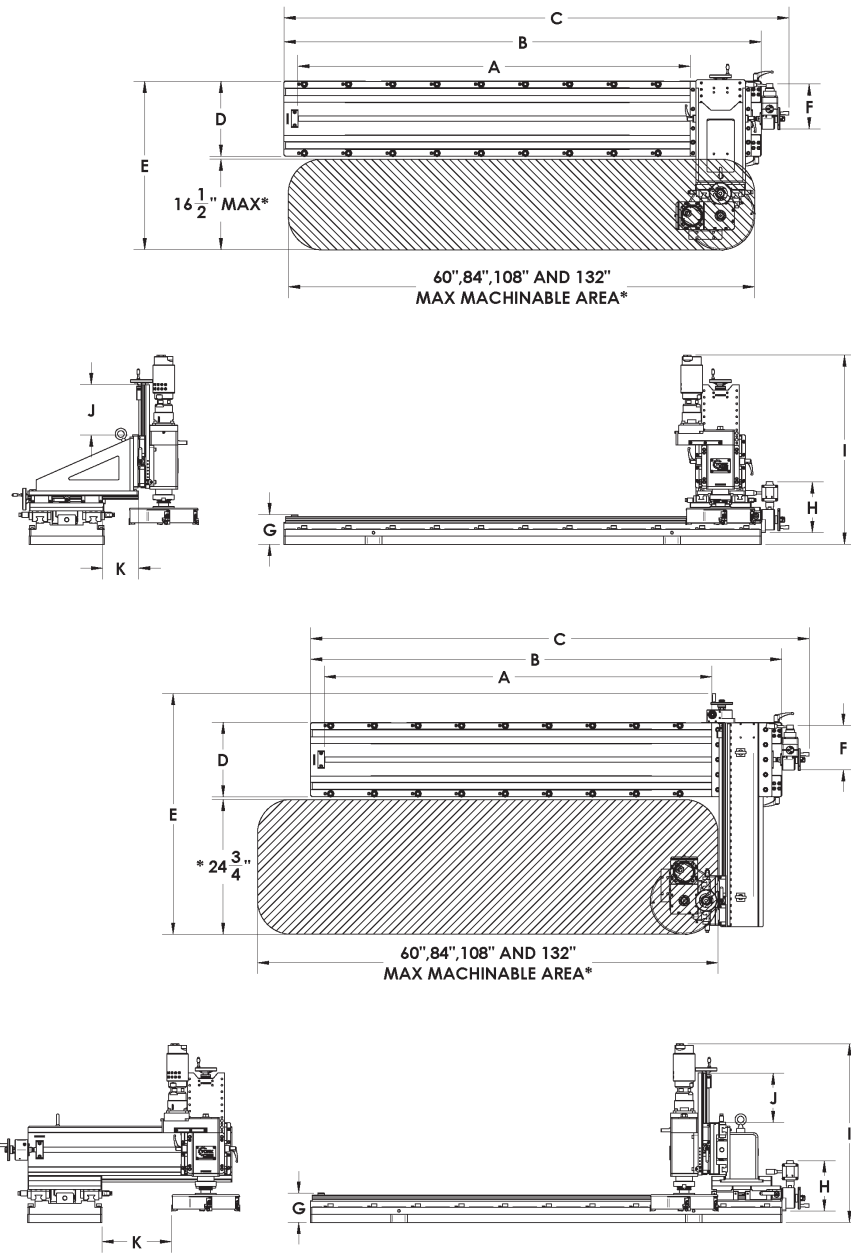
### APPLICATIONS

- Refineries
- Chemical Plants
- Shipyards
- Manufacturing Facilities
- Petrochemical
- Oil and Gas
- Pump Bases
- Motor Bases
- Turbine and Compressor Split Lines
- Blower Foundations
- Hydraulic Presses
- Water Boxes

### PRODUCT DESCRIPTION

SPR's precision linear mills are versatile, efficient, and designed with the end user in mind. The mills are designed with ball screws and rails in all three axis, X-Y-Z, to replace older dove tail models. Multiple spindle positions allow for a greater range of milling adjustments whether it is horizontal, vertical and/or angular. This allows the machine to produce CNC quality work in field/shop conditions depending on the job scope.

\* SPR can custom build linear, gantry, or rotary mills to meet milling applications.



Linear Mill	Travel Length	Length of Base	Overall Length	Width of Base	Overall Width E		Gearbox Width	Base Height	Gearbox Height	Overall Height	Vertical Tool Travel	Horizontal Tool Travel K		Machine Weight	Shipping Weight	Shipping Dimensions
					Bracket Assy.	Bridge Assy.						Angle Bracket Assy.	Y-Bridge Assy.			
	A	B	C	D			F	G	H	I	J			(lbs)	(lbs)	(in)
LM-800-4	48	59.75	65	8	27.000	N/A	9	4.375	10.375	31.625	9	6	N/A	765	1165	26 x 41 x 76
LM-1000-6	72	84.50	89	10	27.875	33.625	9	4.375	10.375	31.625	9	6	16	1150	1520	27 x 42 x 101
LM-1400-6	72	86.375	91.375	14	31.625	37.375	9	4.625	10.625	32.250	9	6	16	1620	2050	22 x 39 x 99
LM-1000-8	96	108.5	113.375	10	27.875	33.625	9	4.375	10.375	31.625	9	6	16	1445	1690	22 x 39 x 123
LM-1400-8	96	110.375	115.375	14	31.625	37.375	9	4.625	10.625	32.250	9	6	16	1755	2500	22 x 39 x 123
LM-1400-10	120	134.375	139.375	14	31.625	37.375	9	4.625	10.625	32.250	9	6	16	1890	2750	32 x 43 x 156



833.447.3777



info@sprtool.com



sprtool.com

Follow us on social media:

