



## PBM-4500 ID Mount End Prep and Flange Facer (1.25" to 8" Pipe)

### ADVANTAGES

- Light weight - 25 lbs
- Tool bits held in by our wedge lock system
- Clamping mandrel with bolt-on locator pads (no springs); stops any pieces from dropping down into the work piece
- Our worm drive system provides exceptional torque for demanding applications
- Pneumatic and electric motors available
- Mandrels cover a range of 1.25 in to 8 in (31.75 mm to 203.20 mm) ID
- Face both the raised face and bolt hole surface of a flange

### APPLICATIONS

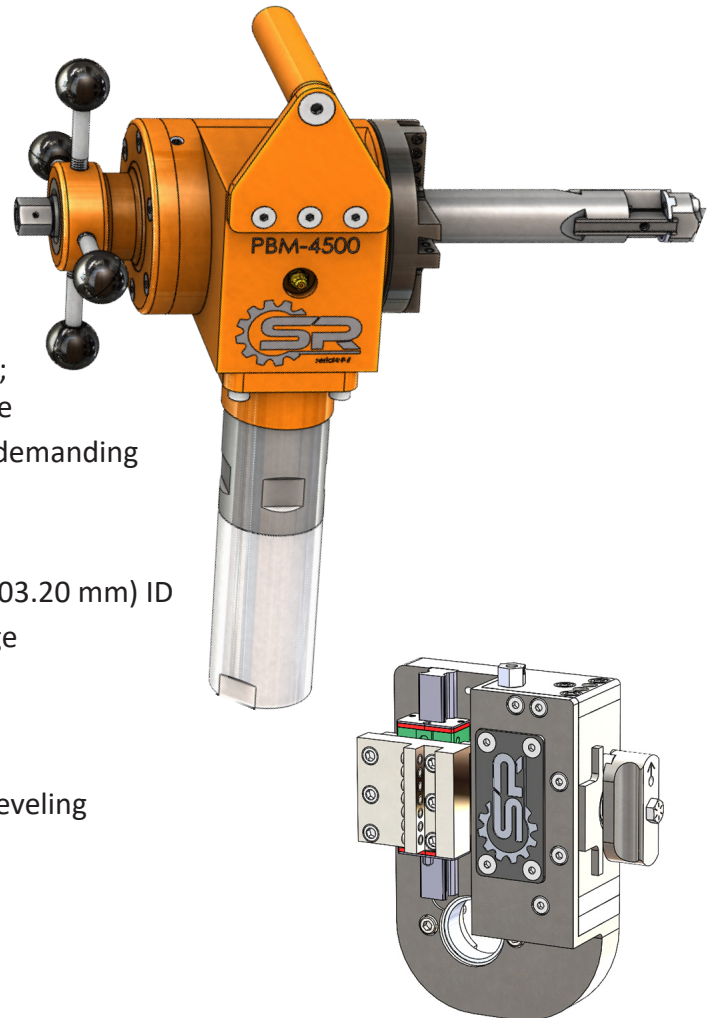
- Beveling Boiler Tubes
- Boiler Tube Repair
- Fabrication
- Pipe Lines
- Seal Weld Removal
- Internal & External Beveling
- Facing
- Counter-Boring
- Weld Removal

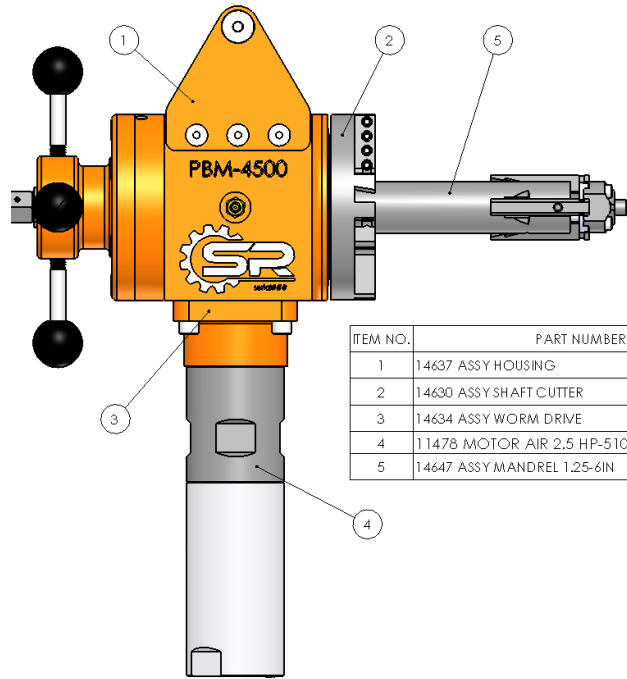
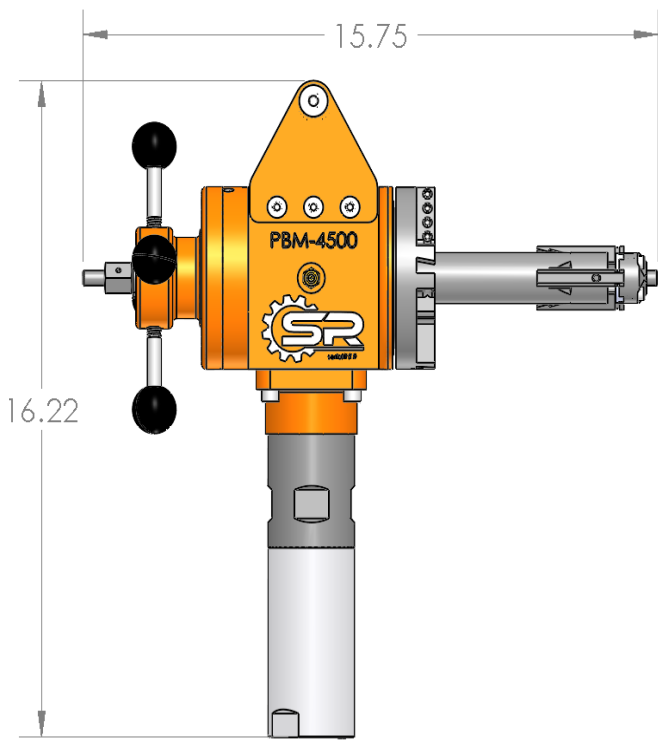
### PRODUCT DESCRIPTION

The PBM-4500 is a right-angled pipe (tube) end-prep machining tool designed to face, bevel, and counterbore for cutting end-prep configurations for welding. These operations can be performed separately or simultaneously. The current model uses a pneumatic powered motor. An optional electric motor is available upon request.

This machine uses an internal expanding clamping mandrel with interchangeable pad sets, which will accommodate internal diameters from a 1.250 in to 4.850 in (31.75 mm to 123.19 mm) ID (standard mandrel). An optional large mandrel is available and will mount from 4.630 in to 8.000 in (117.60 mm to 203.20 mm) ID.

The PBM-4500 beveling machine is capable of tube and pipe weld end preparation that meets all existing conventional codes including the more stringent nuclear codes. The expanding mandrel provides fast, accurate, self-centering alignment to the pipe or tube to be machined.

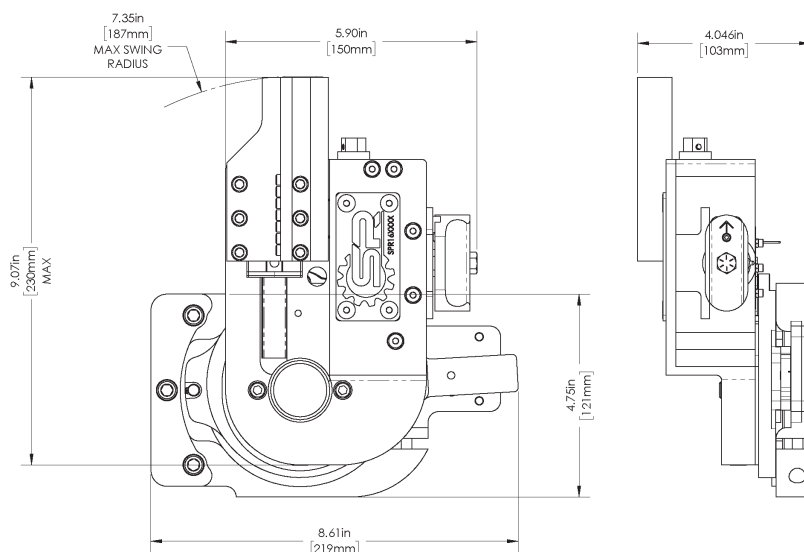
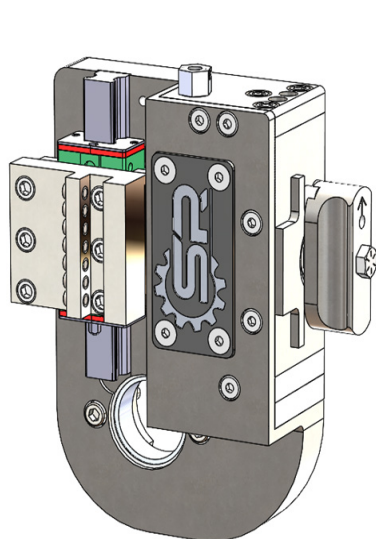
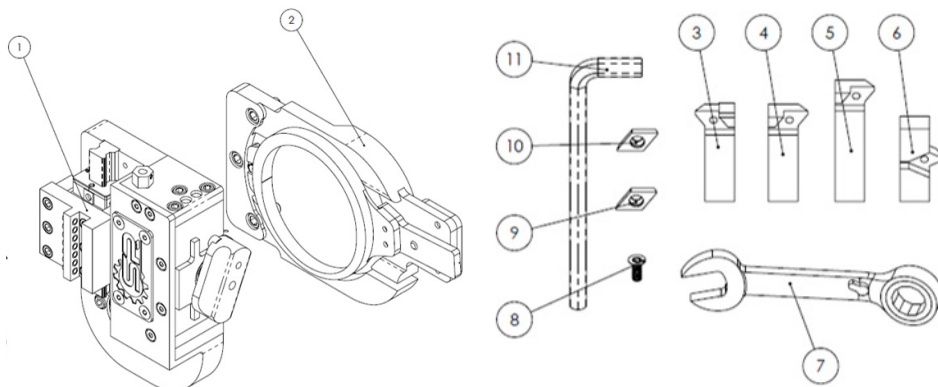




ITEM NO.	PART NUMBER	QTY.
1	14637 ASSY HOUSING	1
2	14630 ASSY SHAFT CUTTER	1
3	14634 ASSY WORM DRIVE	1
4	11478 MOTOR AIR 2.5 HP-510RMP-19MM	1
5	14647 ASSY MANDREL 1.25-6IN	1

Machining Performance Range		PBM-4500 End Prep
ID Mounting Range:	Standard Mandrel	1.250 in - 4.850 in (31.75 mm – 123.19 mm)
	Large Mandrel (Optional)	4.630 in – 8.000 in (117.60 mm – 203.20 mm)
	Elbow Mandrel (Optional)	N/A
Cutting Range		1.250 in - 8.000in (31.75 mm – 203.20 mm)
Radial Clearance		7.750 in (196.85 mm)
Max Wall Thickness		1.000 in
Optional Flange Facer		Yes
Drive System		
Motor		2.50 HP (1864.25 W)
Recommended Air Pressure		55 CFM @ 90 PSI
Speed		510 rpm @ Max output
Electric Motor		Available Upon Request
Measurements		
Machine Weight		25 lbs (11.34 kg)
Shipping Weight		45 lbs (20.41 kg)
Dimensions		
Machine (LxWxH)		Refer to Drawing Above
Crate/Shipping (LxWxH)		24 in x 20 in x 10 in (609.6 mm x 508 mm x 254 mm)

No.	PartNo.	SprDesc	Qty.
1	16077	ASSY FLANGE FACER MAIN BODY	1
2	16084	ASSY ACTUATOR CAM	1
3	14968	TOOL BIT LOW RANGE	1
4	15386	TOOL BIT HOLDER HIGH RANGE	1
5	15739	TOOL BIT HOLDER EXTENDED RANGE	1
6	15740	TOOL BIT HOLDER MID RANGE	1
7	15395	WRENCH COMBO 12PT .5IN	1
8	15712	SCREW TORX #15 M4-.7 X 10 INSERT HOLDER	4
9	15821	INSERT TOOL BIT DPMT 325 1LF KC5025	5
10	15392	INSERT TOOL BIT DPMT 325 2LF KC5025	5
11	15387	DRIVER TORX #15	1



Machining Performance Range		PBM-4500 Flange Facer
ID Mounting Range:	Standard Mandrel	1.250 in - 4.850 in (31.75 mm – 123.19 mm)
	Large Mandrel (Optional)	4.630 in – 8.000 in (117.60 mm – 203.20 mm)
Cutting Range		1.250 in - 16.00 in (31.75 mm – 203.20 mm)
Drive System		
Motor		2.45 HP (1864.25 W)
Recommended Air Pressure		72 CFM @ 90 PSI
Speed		310 rpm @ Max output
Electric Motor		Available Upon Request
Measurements		
Machine Weight		10 lbs (11.34 kg)
Dimensions		
Machine (LxWxH)		Refer to drawing



# SUPERIOR

One Company, *Superior* Results.

Beaumont, TX | Blackwood, NJ | Campbell River, BC | Corpus Christi, TX | Edmonton, AB  
Gonzales, LA | Houston, TX | Rancho Dominguez, CA | Toronto, ON | Webster, TX



833.447.3777



info@sprtool.com



sprtool.com

Follow us on social media:

